

GE

Energy Connections

Model 141

Current Transformer Window Diameter 8.13"

Application

Relaying and metering.

Frequency

50-400 Hz.

Insulation Level

600 Volt, 10 kV BIL full wave.

Terminals are brass screws No. 10-32 with one flatwasher and lockwasher.

Order mounting bracket kit 0221B00775 separately.

Multi-ratios available on request.

Approximate weight 44 lbs.



REGULATORY AGENCY APPROVALS
 E93779  LR89403
 Manufactured to meet the requirements of ANSI/IEEE C57.13.
 Classified by U.L. in accordance with IEC 44-1

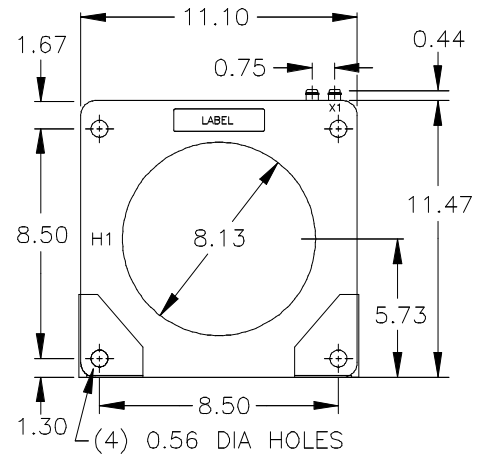
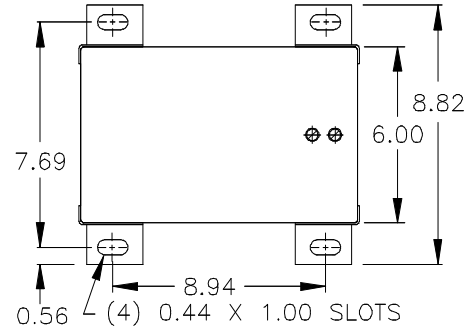
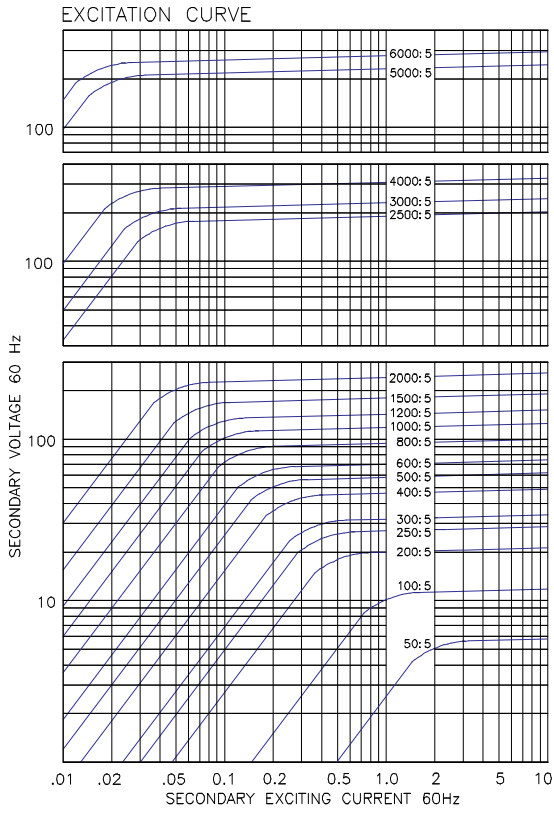
Model 141

Catalog Number	Current Ratio	Relay Class	ANSI Metering Class at 60 Hz					Secondary Winding Resistance (Ω @ 75 °C)	Continuous Thermal Rating Factor	
			B0.1	B0.2	B0.5	B0.9	B1.8		@ 30 °C	@ 55 °C
141-500	50:5	C10	4.8	—	—	—	—	0.033	2.0	2.0
141-101	100:5	C10	2.4	2.4	—	—	—	0.066	2.0	2.0
141-201	200:5	C20	0.6	1.2	1.2	2.4	4.8	0.117	2.0	2.0
141-301	300:5	C50	0.6	0.6	1.2	1.2	2.4	0.248	2.0	2.0
141-401	400:5*	C50	0.3	0.3	0.6	0.6	1.2	0.277	2.0	2.0
141-501	500:5*	C100	0.3	0.3	0.3	0.6	0.6	0.415	2.0	2.0
141-601	600:5*	C100	0.3	0.3	0.3	0.3	0.6	0.498	2.0	1.5
141-801	800:5*	C100	0.3	0.3	0.3	0.3	0.3	0.664	2.0	1.5
141-102	1,000:5*	C200	0.3	0.3	0.3	0.3	0.3	0.829	2.0	1.5
141-122	1,200:5*	C200	0.3	0.3	0.3	0.3	0.3	1.002	2.0	1.5
141-152	1,500:5*	C400	0.3	0.3	0.3	0.3	0.3	1.253	1.5	1.0
141-202	2,000:5*	C400	0.3	0.3	0.3	0.3	0.3	1.659	1.33	1.0
141-252	2,500:5*	C400	0.3	0.3	0.3	0.3	0.3	1.963	1.5	1.33
141-302	3,000:5*	C400	0.3	0.3	0.3	0.3	0.3	2.356	1.5	1.0
141-402	4,000:5*	C400	0.3	0.3	0.3	0.3	0.3	3.141	1.0	0.8
141-502	5,000:5*	C400	0.3	0.3	0.3	0.3	0.3	2.862	1.0	0.8
141-602	6,000:5*	C400	0.3	0.3	0.3	0.3	0.3	4.302	1.0	0.6

Approved for revenue metering by Industry Canada No. AE-0658



Model 141



Grid-AIS-L4-ITL_Model_141-1252-2017_05-EN. © Copyright 2017. General Electric Company and Instrument Transformers LLC reserve the right to change specifications of described products at any time without notice and without obligation to notify any person of such changes.

